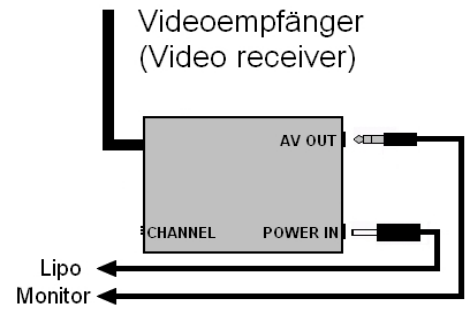


5.8GHz – NANO AV RECEIVER

Technische Daten:

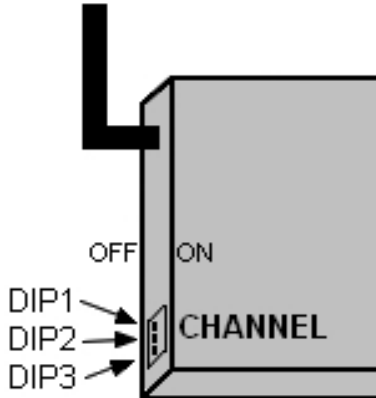
Abmessungen: H/B/T 72/85/20mm
 Kanäle: 7 (5740,5760,5780,5800,5820,5840,5860 MHz)
 Gewicht: 120g
 Eingangsspannung: 6-15V DC
 Leistungsaufnahme: 260mA bei 12V
 Antenneneingang: 1x SMA
 RF-Empfindlichkeit: ~ -85dBm
 Video Ausgang: 1Vp-p @75 Ohm
 Ausgänge: 3.5mm Klinkenbuchse



Die Kanaleinstellung:

Kanalauswahl

Durch das Umlegen der DIP-Schalter wird der zu empfangene Kanal eingestellt:

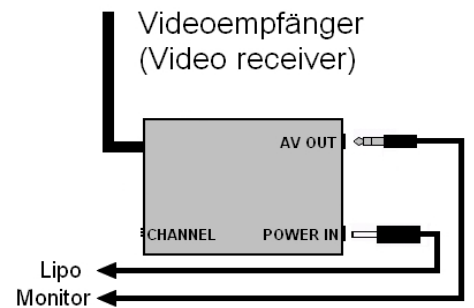


Kanal	DIP1	DIP2	DIP3
1	ON	ON	ON
2	OFF	ON	ON
3	ON	OFF	ON
4	OFF	OFF	ON
5	ON	ON	OFF
6	OFF	ON	OFF
7	ON	OFF	OFF

5.8GHz - NANO AV RECEIVER

Technical Details:

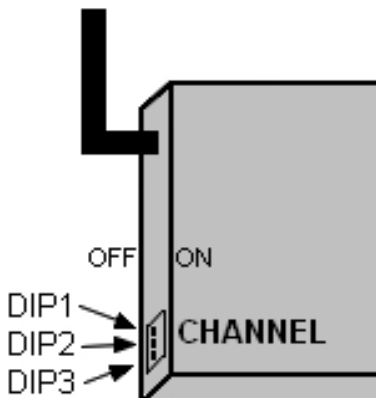
Dimensions: H/B/T 72/85/20mm
 Channels: 7 (5740,5760,5780,5800,5820,5840,5860 MHz)
 Weight: 120g
 Power supply: 6-15V DC
 Power input: 260mA on 12V
 Antenna input: 1x SMA
 RF-sensitivity : ~ -85dBm
 Video out: 1Vp-p @75 Ohm
 Output: 3.5mm jack connector DVR



Channel setting:

Channel selection

By flipping the DIP-switch you can set the received channel:



Channel	DIP1	DIP2	DIP3
1	ON	ON	ON
2	OFF	ON	ON
3	ON	OFF	ON
4	OFF	OFF	ON
5	ON	ON	OFF
6	OFF	ON	OFF
7	ON	OFF	OFF